



**THE BOSTON 1700**



# THE BOSTON 1700



## Performance

|                    |                      |
|--------------------|----------------------|
| Seasoned Cord Wood | 74,000 BTU           |
| Heating Area       | 3,000 sq ft          |
| Burn Times         | 8-12 hours           |
| Maximum Log Size   | 20"                  |
| Efficiency         | 84.7%                |
| EPA Emissions      | 4.5 g per hour       |
| Flue Diameter      | 6"                   |
| Start-up           | Twin Pilot Injectors |
| Viewing Area       | 173 sq in            |
| Firebox Capacity   | 2.5 cu ft            |

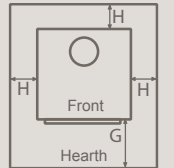
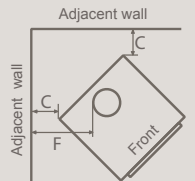
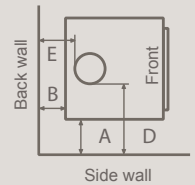
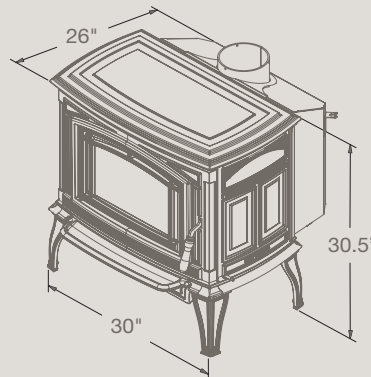
## Options

|                     |  |
|---------------------|--|
| Variety of Finishes | Metallic Black - Standard<br>Diamond Black - Enamel<br>Chestnut - Enamel |
| Cast Iron Accessory | Side Shelves   |
| Variable Speed Fan  | 150 CFM  |

## Clearance to Combustibles

|          |   | Single Wall Pipe          | Double Wall Pipe          |
|----------|---|---------------------------|---------------------------|
| <b>A</b> | side wall to side of unit               | 20"                       | 13"                       |
| <b>B</b> | rear wall to back of unit               | 12"                       | 10"                       |
| <b>C</b> | adjacent wall to corner                 | 10"                       | 8.5"                      |
| <b>D</b> | side wall to collar                     | 29"                       | 22"                       |
| <b>E</b> | rear wall to collar                     | 15"                       | 13"                       |
| <b>F</b> | adjacent wall to collar                 | 18.5"                     | 17"                       |
| <b>G</b> | door opening to edge of hearth pad      | 16" (18" <sub>CDN</sub> ) | 16" (18" <sub>CDN</sub> ) |
| <b>H</b> | side/back of unit to edge of hearth pad | 6" (8" <sub>CDN</sub> )   | 6" (8" <sub>CDN</sub> )   |

Please see owner's manual for more information



Please share and recycle this brochure



Manufactured by Sherwood Industries Ltd • Victoria, BC, Canada  
enviro.com • info@enviro.com • Printed in Canada, January, 2012