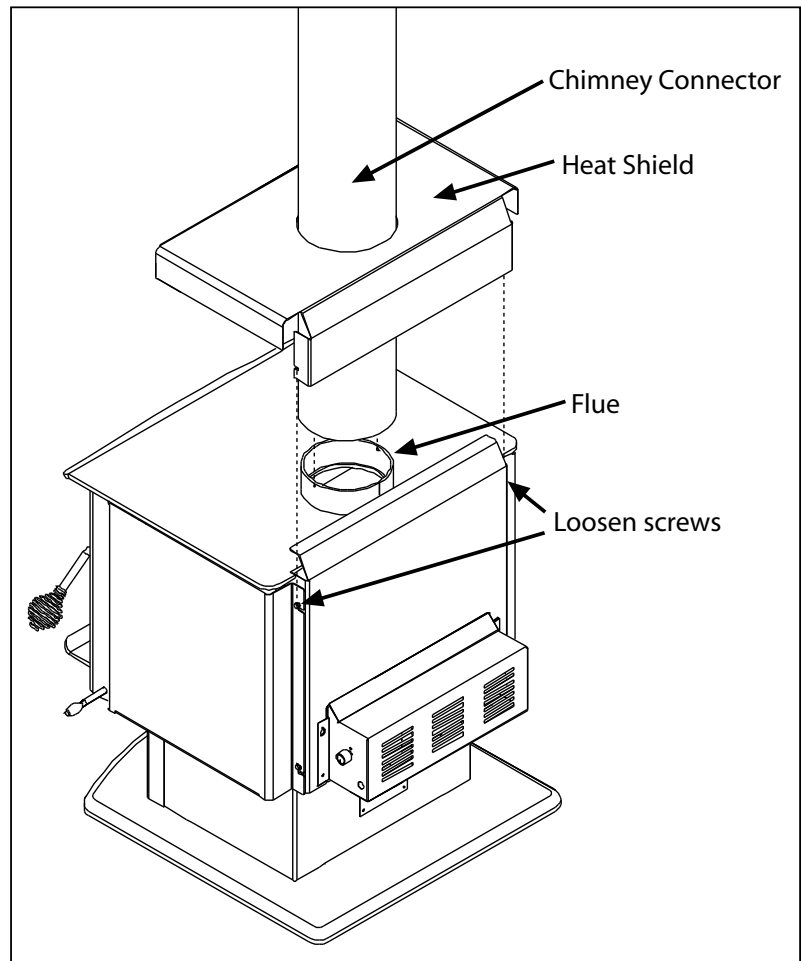




# Kodiak Heat-Efficiency Shield

The heat-efficiency shield is installed to lower the clearances to combustibles on the flat top freestanding model.

1. The unit must be in position for the installation and with the venting ready to be assembled.
2. Loosen the two (2) top screws on the back of the unit using a  $\frac{5}{16}$ " socket.
3. Place the heat-efficiency shield on top of unit.
4. Slide chimney connector through the heat-efficiency shield and over the flue.
5. Lift the heat-efficiency shield and screw the chimney connector to the flue.
6. Slide the heat-efficiency shield down and hook the slot at the back of the shield, around the loosened screws at the back of the unit.
7. Tighten the two (2) screws at the back.



**Figure 1: Installing Heat Shield.**

| Part Number | Description            |
|-------------|------------------------|
| 50-1088     | Heat-Efficiency Shield |

MANUFACTURED BY:  
SHERWOOD INDUSTRIES LTD.  
6782 OLDFIELD RD. SAANICHTON, BC, CANADA V8M 2A3  
[www.envirofire.biz](http://www.envirofire.biz)  
November 3, 2004  
C-10743